



4-20



EPS

PIEZO



DVA121.342

performance with connection on the sensor body

DVA121.352

performance with terminal contacts

Vibration sensors DVA121.3XX

- > one-coordinate
- > wide frequency range
- > piezoelectric

Features

Vibration sensors DVA121.3XX designed to measure root-mean-square value (**RMS**) of vibration velocity in emergency protection system (EPS).

Easy replace similar sensors of well-known brands. Standard mounting kits M6x1 /M8x1 /M10x1. Any special dimensions including inch threads are available.

DVA121.352 equipped with **terminal contacts**, it makes installation easier, the only thing you need is screwdriver. Fire work are excluded.

Metrological data

Maximum g-level, not more then – **400 m/s²**

RMS velocity measuring range, mm/sec :											
0-10	0-12,7	0-20	0-25	0-25,4	0-30	0-40	0-50	0-50,8	0-60	0-80	0-100

Frequency range – **10-1000 Hz**

Frequency range can be modified by special request.

Electrical Isolation resistance between vibration transducer and cage (temperature 35°C) without water condensation and relative humidity less then 80%, at least 40 MOhm (for 0ExIaIICT5), and at least 1 MOhm (for PO Exial)

Interface

Output signal - «current loop» – **4-20 mA**

Supply range of – **10-24 V**

Connection polarity – random

Connection through intrinsic safety barrier or through controlling unit TIK-PLC 112

Controlling unit is responsible for emergency protection system , sensor power supply, intrinsic safety barrier

Operational data

Operating temperature

climate performance U **-40...+80°C**

climate performance X **-60...+80°C**

Reliability

Average time operating, at least – **40 000 hours**

Metrological verification – every **2 years**

Guarantee period – **18 month**

Life time, at least – **10 years**

DVA121.342 (DVA 1213)

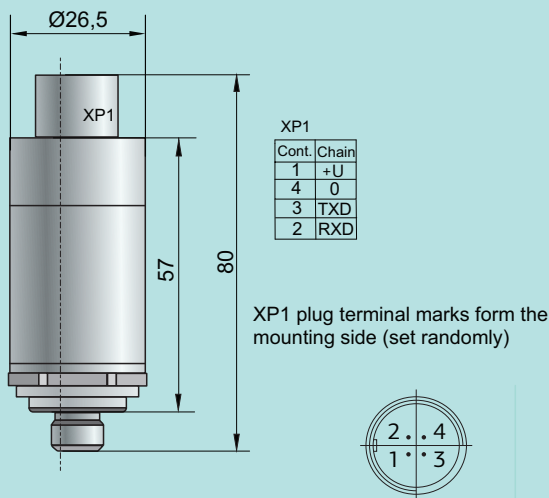
cylindrical shell, double-end bolt mounting,
2 RMG connector on the shell

IP65

∅ 26,5x80 mm

0,17 kg

bolt M6x1 (M8x1 / M10x1 / M12x1)



0ExiallCT5 / PO Exial

intrinsic safe electricity mains

DVA121.352 (DVA 1213.1)

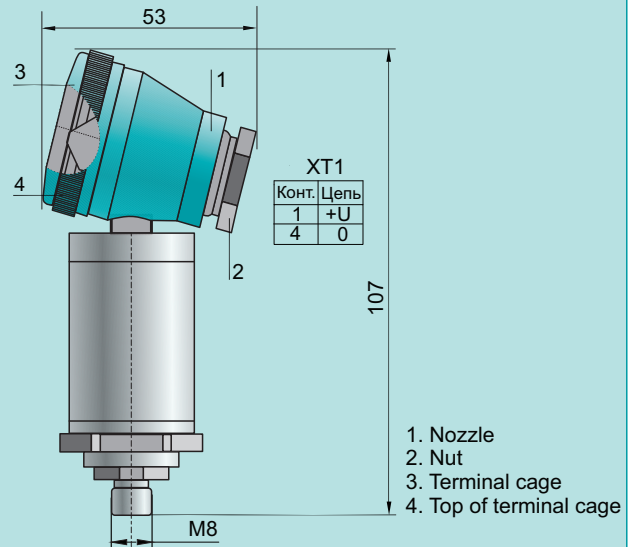
cylindrical shell, double-end bolt mounting,
terminal block connector

IP65

∅ 53x107 mm

0,17 kg

bolt M6x1 (M8x1 / M10x1 / M12x1)

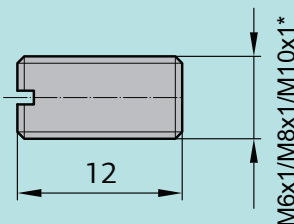


0ExiallCT5 / PO Exial

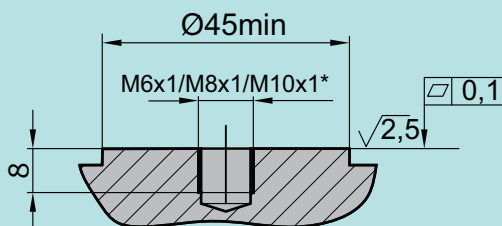
intrinsic safe electricity mains

Mounting of vibration transducers

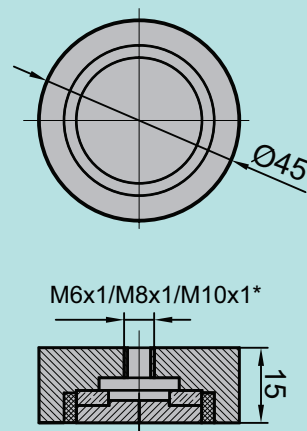
Mounting bolt



Place for sensor installation



Magnet



*- Any special dimensions including inch threads are available